

Utility Dry Work Press – Air operated

FPA1-D



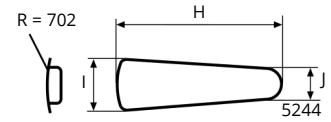
Features and benefits

- Even distribution of steam, from head and buck moistens the fabric to remove creases
- Adjustable pressure regulator for pressing different fabrics
- Buck vacuum holds fabric in place and dries after pressing
- Air operated, reduces operator fatigue
- Safety two button closing improves operator safety
- Padded head avoids glazing the fabric
- Padded buck reduces impressions

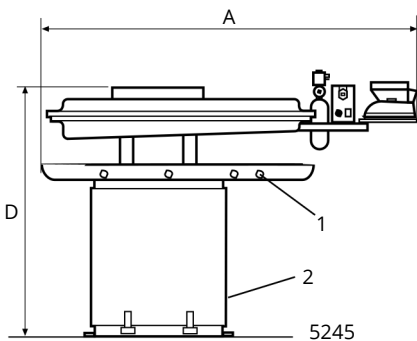
Main options

- Integral features that simplify the installation
 - Integral steam boiler – 10, 12, 15 or 18 kW
 - Integral vacuum fan
 - Integral air compressor
- All steam iron for safe operation
- Electric steam iron
- Safety head guard (CE) improves operator safety
- Steam or steam/air gun for removal of spots
- Spotting arm eases removal of spots
- Teflon coated head plate for long life

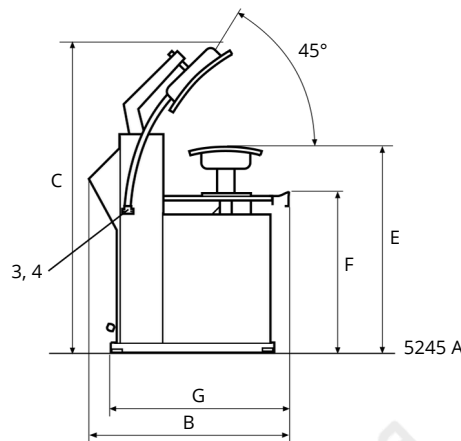
Electrical connections	Standard	Optional				
		Built-in boiler	Built-in vacuum	Built-in air comp.	Electric steam iron	
Voltage, standard						
208-240V 1 AC 50/60 Hz	kW	-	-	0.4	0.55	0.8
Voltage, built-in boiler						
208-240V 3 AC 50/60 Hz alt. 10 kW		-	10	-	-	-
230V 3 AC 50/60 Hz	12 kW	-	12	-	-	-
380-400V 3 AC 50 Hz	15 kW	-	15	-	-	-
	18 kW	-	18	-	-	-
Steam, air and vacuum connection						
DN	15	-	15	15	15	15
kPa	500	-	500	500	500	500
Steam Rec. steam pressure	20	-	20	20	20	20
consumption	kg/h	-	-	-	-	-
Condensate	DN	15	15	15	15	15
Compressed air Rec. air pressure	DN	10	10	10	-	10
consumption	Central vacuum	700	700	700	-	700
Vacuum air consumption	Vacuum	60	60	60	-	60
depression	Vacuum outlet	Ø100	Ø100	Ø100	Ø100	Ø100
	mm	400	400	400	400	400
Shipping data	m ³ /h	250	250	250	250	250
	mm H ₂ O	250	250	250	250	250
	mm	-	-	-	-	-
	net, kg	226	320			
	crated, kg	294	370			
	boxed, kg	344	425			
Dimensions in mm						
A Width	B Depth	C				
Height	D	E	F	G	H	I
1 Control panel						
2 Electrical connection						
3 Steam connection						
4 Condensate						
		1450	1450	1450	1450	1450
		1100	1100	1100	1100	1100
		1450	1450	1450	1450	1450
		1250	1250	1250	1250	1250
		1030	1030	1030	1030	1030
		800	800	800	800	800
		920	920	920	920	920
		1190	1190	1190	1190	1190
		370	370	370	370	370
		230	230	230	230	230
5 Air connection						
6 Water supply – built-in boiler only						
7 Boiler drain – built-in boiler only						
8 Vacuum outlet						



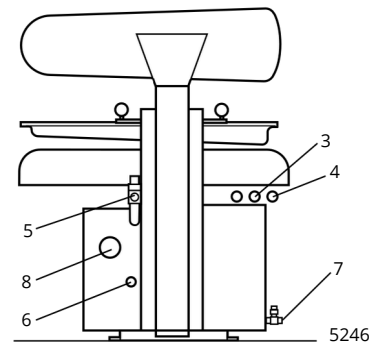
Utility shape



Front



Left side



Rear side