



myPRO

Smart Professional Washer

Especially designed for small businesses.

The machine with a Professional heart, on a sensible budget, boasting benefits from a professional design.

Benefits and features

► Superb capacity and performance:

- Process all laundry in one go thanks to generous 8 kg capacity
- Best wash results and garment care due to unique professional drum with 4.5 mm holes for efficient evacuation of debris (standard 2.2 mm)
- Time and cost savings in drying with moisture extraction at 1,400 rpm

► Up to 50 % faster¹ and easy to use:

- Meet every need with professional programs, from energy-efficient and mild to disinfection and mop programs
- Save time: Cotton 60 °C programs take 82 minutes (starting with cold water at 15 °C)
- Reduce cycle time by an extra 12 minutes by using the hot water inlet
- Flexible installation thanks to smart drain pump configuration
- Fast wash program: wash in less than 30 minutes

► Triple the lifetime¹:

- Extra long lifetime due to durable construction with professional components
- Less vibration thanks to highly effective shock absorbance system and optimally balanced components and panelling
- No chemical corrosion: stainless steel front and top
- Trouble-free operation due to gravity drain valve model for the most demanding applications²

Perfect for small businesses such as

- Small hotels and bed & breakfasts
- Small restaurants
- Hairdressing and beauty salons
- Sport and fitness clubs
- Office cleaning companies
- Out-of-home resident services
- Restaurant chains / franchise and more

¹ Compared to domestic machines

² Life facility management and elderly care

Accessories

- Pedestal
- Stacking kit

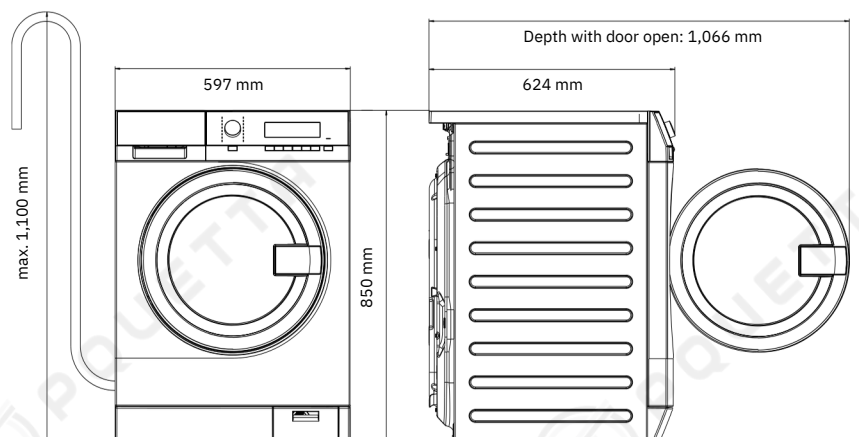
Option

- External dosing system
- Marine kit

Main specifications at a glance

Washing capacity, kg	8
Drum volume, l	67
Energy efficiency class	D
Consumption data	
Program standard, cotton 60 °C, full load	
Total time, min./cycle (hot water inlet)	70
Energy consumption, kWh	0.7
Water consumption (cold), l	65

Dimensions



myPRO Smart Professional Washer

Specifications WE170P/V

Spin speed, rpm (G-factor)	1,400 (536)
Washing noise level, dB(A)	49
Spinning noise level, dB(A)	76
Electrical connection, V/Hz/W	230 - 240 / 50 - 60/2000
Cabinet, top and front	Stainless steel
Display	Large LCD
Drum design	Professional drum with 4.5 mm holes
Drum light	Yes
Detergent compartments	3
Door lock device	Pull to open with child safety (can be opened from inside applying 70N)
Water inlet	Hot & cold
Draining system	Drain pump / Drain valve
Levelling feet	4 adjustable feet (adjustable by 15mm)

Programs

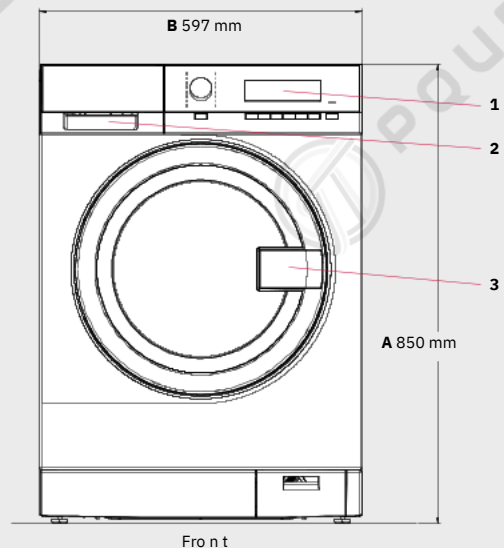
Number of programs	16
Eco 40-60 / Fast wash / Cotton 20, 40, 60, 95 Mild 30, 40, 60 / Handwash / Mop 60, 85 / Rinse & Spin Disinfection 60, 70, 80	
Number of additional functions	6
Pre rinse / Pre wash / Extra rinse / Spin time No softener / Delay start	
Program proportionality	Whether full or non-full load: the machine adapts

Special features

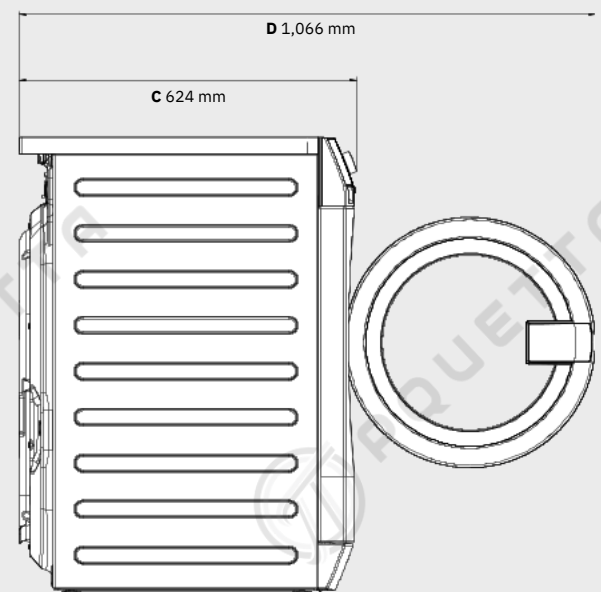
Pedestal	Accessory
Stacking kit	Accessory
External dosing system	Optional
Marine kit	Optional

Dimensions including the door frame

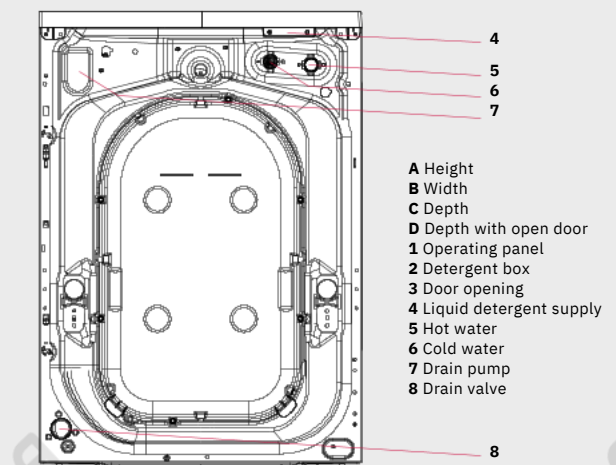
Height (A), mm	850
Width (B), mm	597
Depth (C), mm	624
Packaging height, mm	900
Packaging width, mm	630
Packaging depth, mm	701
Weight (with packaging), kg	80.5 (82)



Front



Right side



Rear side

- A Height
- B Width
- C Depth
- D Depth with open door
- 1 Operating panel
- 2 Detergent box
- 3 Door opening
- 4 Liquid detergent supply
- 5 Hot water
- 6 Cold water
- 7 Drain pump
- 8 Drain valve

We reserve the right to alter specifications without notice.